

PARTS LIST

CAUTION

- The parts identified by the \triangle symbol are important for the safety. Whenever replacing these parts, be sure to use specified ones to secure the safety.
- The parts not indicated in this Parts List and those which are filled with lines — in the Parts No. columns will not be supplied.
- P. W. Board Ass'y will not be supplied, but those which are filled with the Parts No. in the Parts No. columns will be supplied.

ABBREVIATIONS OF RESISTORS, CAPACITORS AND TOLERANCES

RESISTORS		CAPACITORS	
C R	Carbon Resistor	C CAP.	Ceramic Capacitor
F R	Fusible Resistor	E CAP.	Electrolytic Capacitor
P R	Plate Resistor	M CAP.	Mylar Capacitor
V R	Variable Resistor	HV CAP.	High Voltage Capacitor
HV R	High Voltage Resistor	MF CAP.	Metalized Film Capacitor
MF R	Metal Film Resistor	MM CAP.	Metalized Mylar Capacitor
MG R	Metal Glazed Resistor	MP CAP.	Metalized Polystyrol Capacitor
MP R	Metal Plate Resistor	PP CAP.	Polypropylene Capacitor
OM R	Metal Oxide Film Resistor	PS CAP.	Polystyrol Capacitor
CMF R	Coating Metal Film Resistor	TF CAP.	Thin Film Capacitor
UNF R	Non-Flammable Resistor	MPP CAP.	Metalized Polypropylene Capacitor
CH V R	Chip Variable Resistor	TAN. CAP.	Tantalum Capacitor
CH MG R	Chip Metal Glazed Resistor	CH C CAP.	Chip Ceramic Capacitor
COMP. R	Composition Resistor	BP E CAP.	Bi-Polar Electrolytic Capacitor
LPTC R	Linear Positive Temperature Coefficient Resistor	CH AL E CAP.	Chip Aluminum Electrolytic Capacitor
NETW R	Network Resistor	CH AL BP CAP.	Chip Aluminum Bi-Polar Capacitor
		CH TAN. E CAP.	Chip Tantalum Electrolytic Capacitor
		CH AL BP E CAP.	Chip Tantalum Bi-Polar Electrolytic Capacitor

TOLERANCES									
F	G	J	K	M	N	R	H	Z	P
±1%	±2%	±5%	±10%	±20%	±30%	+30%	+50%	+80%	+100%
						-10%	-10%	-20%	-0%

CONTENTS

- P.W. BOARDS 28
- EXPLODED VIEW PARTS LIST 28
- EXPLODED VIEW 29
- PRINTED WIRING BOARD PARTS LIST
 - MAIN PW BOARD ASS'Y 30
 - CRT SOCKET PW BOARD ASS'Y 33
 - FRONT CONTROL PW BOARD ASS'Y 34
 - IF PW BOARD ASS'Y 35
 - AV SW PW BOARD ASS'Y 36
- PACKING/PACKING PARTS LIST 39
- REMOTE CONTROL UNIT PARTS LIST 39

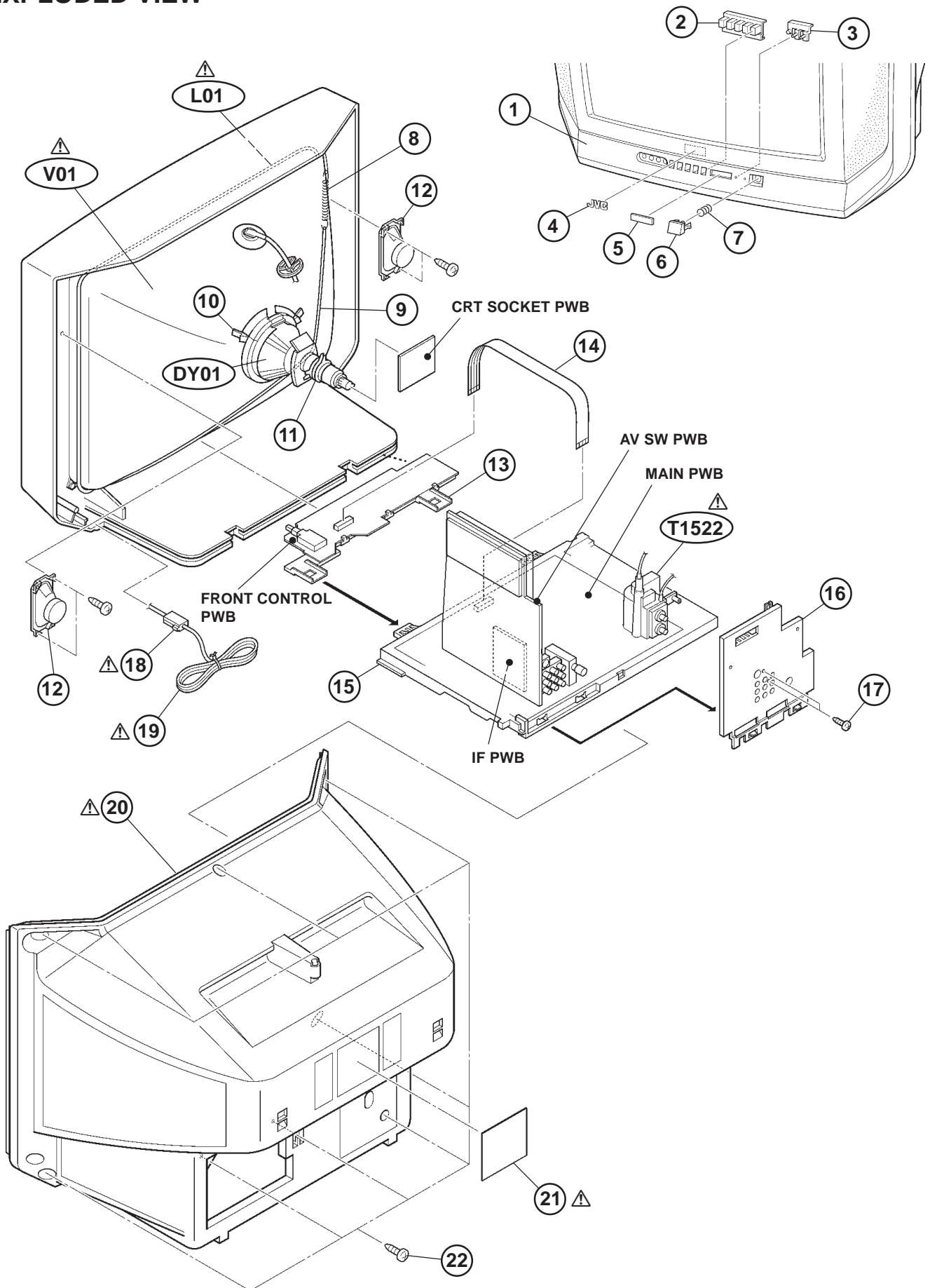
P.W. BOARDS

P.W.B. Ass'y	Part No.
MAIN P.W.B.	SCM-1617A-H2
CRT SOCKET P.W.B.	SCM-3201A-H2
FRONT CONTROL P.W.B.	SCM-8206A-H2
IF P.W.B.	SCM0F201A-H2
AV SW P.W.B.	SCM0Y208A-H2

EXPLODED VIEW PARTS LIST

△ Ref.No.	Part No.	Part Name	Description	Local
△ V01	A51LMV20X	PICTURE TUBE		
△ L01	QQW0047-001	DEG COIL		
DY01	CE20295-00C	DEF YOKE		
△ T1522	QQH0022-002	H.V. TRANSF.		
1	LC10394-033A-H	FRONT CABINET		
2	LC20292-002A-H	CONTROL KNOB		
3	LC30618-001A-H	LED LENS		
4	CM48006-007-C	JVC MARK		
5	LC30617-001C-H	E. E. WINDOW		
6	LC30616-002A-H	POWER KNOB		
7	CM35235-006-H	SPRING		
8	A48457-3-H	SPRING		
9	CHGB0016-0B-FH	BRAIDED ASSY		
10	CE40764-00A	WEDGE ASSY	(x3)	
11	A75034-B	PC MAGNET		
12	QAS0037-001	SPEAKER	(x2) SP01, SP02	
13	LC10406-001C-H	CONTROL BASE		
14	CHFB125-08BD	FFC WIRE		
15	CM12669-A04-VH	CHASSIS BASE		
16	LC10407-002D-H	AV TERMINAL BOARD		
17	QYSBSF3010Z	TAPPING SCREW	(x2)	
△ 18	CM47005-A01-H	CORD CLAMP		
△ 19	QMP4000-200J5	POWER CORD	or QMP4000-200J3	
△ 20	LC10395-001C-H	REAR COVER		
△ 21	LC20377-016A-H	RATING LABEL		
22	QYSBSFG4016Z	TAPPING SCREW	(x8)	

EXPLODED VIEW



PRINTED WIRING BOARD PARTS LIST

MAIN P.W. BOARD ASS'Y (SCM-1617A-H2)

△ Symbol No.	Part No.	Part Name	Description	Local	△ Symbol No.	Part No.	Part Name	Description	Local
RESISTOR					RESISTOR				
R1001	QRE141J-102Y	C R	1kΩ 1/4W	J	R1675	QRE141J-103Y	C R	10kΩ 1/4W	J
R1002	QRE141J-102Y	C R	1kΩ 1/4W	J	R1690	QRE121J-4R7Y	C R	4.7Ω 1/2W	J
R1003	QRE141J-102Y	C R	1kΩ 1/4W	J	R1691	QRE121J-4R7Y	C R	4.7Ω 1/2W	J
R1004	QRE141J-102Y	C R	1kΩ 1/4W	J	R1692	QRE141J-271Y	C R	270Ω 1/4W	J
R1101	QRE141J-473Y	C R	47kΩ 1/4W	J	R1693	QRE141J-271Y	C R	270Ω 1/4W	J
R1102	QRE141J-153Y	C R	15kΩ 1/4W	J	R1701	QRE141J-103Y	C R	10kΩ 1/4W	J
R1103	QRE141J-750Y	C R	75Ω 1/4W	J	R1703	QRE141J-102Y	C R	1kΩ 1/4W	J
R1151	QRE141J-103Y	C R	10kΩ 1/4W	J	R1704	QRE141J-102Y	C R	1kΩ 1/4W	J
R1152	QRE141J-103Y	C R	10kΩ 1/4W	J	R1705	QRE141J-221Y	C R	220Ω 1/4W	J
R1153	QRE141J-102Y	C R	1kΩ 1/4W	J	R1706	QRE141J-221Y	C R	220Ω 1/4W	J
R1201	QRE141J-562Y	C R	5.6kΩ 1/4W	J	R1707	QRE141J-221Y	C R	220Ω 1/4W	J
R1203	QRE141J-224Y	C R	22kΩ 1/4W	J	R1708	QRE141J-221Y	C R	220Ω 1/4W	J
R1204	QRE141J-391Y	C R	390Ω 1/4W	J	R1709	QRE141J-682Y	C R	6.8kΩ 1/4W	J
R1205	QRE141J-391Y	C R	390Ω 1/4W	J	R1710	QRB139J-682	NETW. R	6.8kΩ	
R1206	QRE141J-332Y	C R	3.3kΩ 1/4W	J	R1711	QRE141J-473Y	C R	47kΩ 1/4W	J
R1207	QRE141J-101Y	C R	100Ω 1/4W	J	R1712	QRE141J-102Y	C R	1kΩ 1/4W	J
R1301	QRE141J-681Y	C R	680Ω 1/4W	J	R1713	QRE141J-332Y	C R	3.3kΩ 1/4W	J
R1302	QRE141J-102Y	C R	1kΩ 1/4W	J	R1714	QRE141J-332Y	C R	3.3kΩ 1/4W	J
R1303	QRE141J-273Y	C R	27kΩ 1/4W	J	R1715	QRE141J-221Y	C R	220Ω 1/4W	J
R1304	QRE141J-101Y	C R	100Ω 1/4W	J	R1718	QRE141J-182Y	C R	1.8kΩ 1/4W	J
R1305	QRE141J-101Y	C R	100Ω 1/4W	J	R1720	QRE141J-102Y	C R	1kΩ 1/4W	J
R1306	QRE141J-101Y	C R	100Ω 1/4W	J	R1721	QRE141J-392Y	C R	3.9kΩ 1/4W	J
R1307	QRE141J-102Y	C R	1kΩ 1/4W	J	R1722	QRE141J-102Y	C R	1kΩ 1/4W	J
R1308	QRE141J-102Y	C R	1kΩ 1/4W	J	R1723	QRE141J-392Y	C R	3.9kΩ 1/4W	J
R1309	QRE141J-102Y	C R	1kΩ 1/4W	J	R1724	QRE141J-102Y	C R	1kΩ 1/4W	J
R1310	QRE141J-102Y	C R	1kΩ 1/4W	J	R1725	QRE141J-392Y	C R	3.9kΩ 1/4W	J
R1311	QRE141J-333Y	C R	33kΩ 1/4W	J	R1726	QRE141J-101Y	C R	100Ω 1/4W	J
R1313	QRE141J-103Y	C R	10kΩ 1/4W	J	R1727	QRE141J-472Y	C R	4.7kΩ 1/4W	J
R1321	QRE141J-101Y	C R	100Ω 1/4W	J	R1729	QRE141J-124Y	C R	120kΩ 1/4W	J
R1322	QRE141J-101Y	C R	100Ω 1/4W	J	R1730	QRE141J-683Y	C R	68kΩ 1/4W	J
R1401	QRE141J-103Y	C R	10kΩ 1/4W	J	R1731	QRE141J-563Y	C R	56kΩ 1/4W	J
R1403	QRE141J-102Y	C R	1kΩ 1/4W	J	R1732	QRE141J-223Y	C R	22kΩ 1/4W	J
R1421	QRE141J-822Y	C R	8.2kΩ 1/4W	J	R1733	QRE141J-103Y	C R	10kΩ 1/4W	J
R1422	QRE141J-472Y	C R	4.7kΩ 1/4W	J	R1734	QRE141J-103Y	C R	10kΩ 1/4W	J
R1423	QRE141J-221Y	C R	220Ω 1/4W	J	R1735	QRE141J-153Y	C R	15kΩ 1/4W	J
R1425	QRE141J-333Y	C R	33kΩ 1/4W	J	R1736	QRE141J-153Y	C R	15kΩ 1/4W	J
R1426	QRE141J-333Y	C R	33kΩ 1/4W	J	R1737	QRE141J-103Y	C R	10kΩ 1/4W	J
R1427	QRE141J-103Y	C R	10kΩ 1/4W	J	R1738	QRE141J-821Y	C R	820Ω 1/4W	J
R1428	QRE141J-822Y	C R	8.2kΩ 1/4W	J	R1739	QRE141J-471Y	C R	470Ω 1/4W	J
R1429	QRE141J-562Y	C R	5.6kΩ 1/4W	J	R1740	QRE141J-221Y	C R	220Ω 1/4W	J
R1430	QRE141J-103Y	C R	10kΩ 1/4W	J	R1741	QRE141J-221Y	C R	220Ω 1/4W	J
R1431	QRE141J-682Y	C R	6.8kΩ 1/4W	J	R1742	QRE141J-221Y	C R	220Ω 1/4W	J
R1432	QRE121J-4R7Y	C R	4.7Ω 1/2W	J	R1743	QRE141J-221Y	C R	220Ω 1/4W	J
R1433	QRE121J-6R8Y	C R	6.8Ω 1/2W	J	R1744	QRE141J-221Y	C R	220Ω 1/4W	J
R1440	QRG01GJ-221	OM R	220Ω 1W	J	R1745	QRE141J-101Y	C R	100Ω 1/4W	J
R1444	QRE121J-221Y	C R	220Ω 1/2W	J	R1746	QRE141J-221Y	C R	220Ω 1/4W	J
R1445	QRE121J-821Y	C R	820Ω 1/2W	J	R1747	QRE141J-102Y	C R	1kΩ 1/4W	J
R1446	QRK126J-1R0X	C R	1.0Ω 1/2W	J	R1748	QRE141J-102Y	C R	1kΩ 1/4W	J
R1451	QRE141J-272Y	C R	2.7kΩ 1/4W	J	R1749	QRE141J-102Y	C R	1kΩ 1/4W	J
R1452	QRE141J-563Y	C R	56kΩ 1/4W	J	R1752	QRE141J-102Y	C R	1kΩ 1/4W	J
R1453	QRE141J-183Y	C R	18kΩ 1/4W	J	R1755	QRE141J-102Y	C R	1kΩ 1/4W	J
R1454	QRE141J-103Y	C R	10kΩ 1/4W	J	R1756	QRE141J-102Y	C R	1kΩ 1/4W	J
R1501	QRE141J-822Y	C R	8.2kΩ 1/4W	J	R1761	QRE141J-103Y	C R	10kΩ 1/4W	J
R1502	QRE141J-621Y	C R	620Ω 1/4W	J	R1762	QRE141J-331Y	C R	330Ω 1/4W	J
R1504	QRE141J-103Y	C R	10kΩ 1/4W	J	R1764	QRE141J-472Y	C R	4.7kΩ 1/4W	J
R1505	QRE141J-104Y	C R	100kΩ 1/4W	J	R1765	QRE141J-102Y	C R	1kΩ 1/4W	J
R1522	QRE141J-123Y	C R	12kΩ 1/4W	J	R1766	QRE141J-102Y	C R	1kΩ 1/4W	J
R1523	QRE121J-222Y	C R	2.2kΩ 1/2W	J	R1770	QRE141J-102Y	C R	1kΩ 1/4W	J
R1524	QRG029J-332	OM R	3.3kΩ 2W	J	R1771	QRE141J-103Y	C R	10kΩ 1/4W	J
R1525	QRG029J-332	OM R	3.3kΩ 2W	J	R1772	QRE141J-682Y	C R	6.8kΩ 1/4W	J
R1526	QRE121J-220Y	C R	22Ω 1/2W	J	R1773	QRE141J-332Y	C R	3.3kΩ 1/4W	J
R1527	QRG029J-123	OM R	12kΩ 2W	J	R1901	QRF104K-3R9	UNF R	3.9Ω 10W	K
R1528	QRE121J-471Y	C R	470Ω 1/2W	J	R1902	QRL039J-473	OM R	47kΩ 3W	J
R1571	QRF104K-5R6	UNF R	5.6Ω 10W	K	R1921	QRE121J-681Y	C R	680Ω 1/2W	J
R1582	QRE141J-822Y	C R	8.2kΩ 1/4W	J	R1922	QRM059J-R15	MP R	0.15Ω 5W	J
R1583	QRE141J-103Y	C R	10kΩ 1/4W	J	R1923	QRX029J-2R2	MF R	2.2Ω 2W	J
R1594	QRE141J-332Y	C R	3.3kΩ 1/4W	J	R1926	QRE121J-222Y	C R	2.2kΩ 1/2W	J
R1651	QRE141J-182Y	C R	1.8kΩ 1/4W	J	R1928	QRL039J-473	OM R	47kΩ 3W	J
R1652	QRE141J-822Y	C R	8.2kΩ 1/4W	J	R1929	QRE121J-332Y	C R	3.3kΩ 1/2W	J
R1653	QRE141J-182Y	C R	1.8kΩ 1/4W	J	R1930	QRL039J-473	OM R	47kΩ 3W	J
R1654	QRE141J-822Y	C R	8.2kΩ 1/4W	J	R1931	QRE141J-102Y	C R	1kΩ 1/4W	J
R1655	QRE141J-104Y	C R	100kΩ 1/4W	J	R1932	QRE121J-824Y	C R	820kΩ 1/2W	J
R1674	QRE141J-103Y	C R	10kΩ 1/4W	J	R1934	QRE121J-333Y	C R	33kΩ 1/2W	J

Symbol No.	Part No.	Part Name	Description	Local
RESISTOR				
R1935	QRE141J-152Y	C R	1.5kΩ 1/4W J	
R1936	QRK129J-1R2	C R	1.2Ω 1/2W J	
R1937	QRE141J-220Y	C R	22Ω 1/4W J	
R1941	QRE121J-152Y	C R	1.5kΩ 1/2W J	
R1943	QRE141J-682Y	C R	6.8kΩ 1/4W J	
R1944	QRE121J-332Y	C R	3.3kΩ 1/2W J	
R1946	QRE141J-153Y	C R	15kΩ 1/4W J	
R1970	QRL029J-150	OM R	15Ω 2W J	
R1971	QRE141J-223Y	C R	22kΩ 1/4W J	
R1972	QRE121J-102Y	C R	1kΩ 1/2W J	
R1973	QRE141J-223Y	C R	22kΩ 1/4W J	
R1974	QRE141J-152Y	C R	1.5kΩ 1/4W J	
R1975	QRE141J-682Y	C R	6.8kΩ 1/4W J	
R1976	QRE141J-182Y	C R	1.8kΩ 1/4W J	
R1977	QRG029J-183	OM R	18kΩ 2W J	
R1978	QRE121J-102Y	C R	1kΩ 1/2W J	
R1979	QRE141J-123Y	C R	12kΩ 1/4W J	
R1980	QRE141J-821Y	C R	820Ω 1/4W J	
R1981	QRE141J-222Y	C R	2.2kΩ 1/4W J	
R1982	QRE141J-822Y	C R	8.2kΩ 1/4W J	
R1983	QRA14CF-5101Y	MF R	5.1kΩ 1/4W F	
R1989	QRE141J-561Y	C R	560Ω 1/4W J	
△ R1991	QRZ0057-825	C R	8.2MΩ 1W J	

Symbol No.	Part No.	Part Name	Description	Local
CAPACITOR				
C1001	QETN1HM-475Z	E CAP.	4.7μF 50V M	
C1002	QETN1CM-108Z	E CAP.	1000μF 16V M	
C1003	QETN1HM-106Z	E CAP.	10μF 50V M	
C1004	QETN1CM-107Z	E CAP.	100μF 16V M	
C1005	QCB31HK-103Z	C CAP.	0.01μF 50V K	
C1006	QCB31HK-103Z	C CAP.	0.01μF 50V K	
C1007	QCB31HK-103Z	C CAP.	0.01μF 50V K	
C1015	QCB31HK-222Z	C CAP.	2200pF 50V K	
C1151	QCB31HK-103Z	C CAP.	0.01μF 50V K	
C1201	QETN1CM-477Z	E CAP.	470μF 16V M	
C1202	QFV71HJ-104Z	TF CAP.	0.1μF 50V J	
C1203	QETN1HM-105Z	E CAP.	1μF 50V M	
C1204	QFV71HJ-104Z	TF CAP.	0.1μF 50V J	
C1205	QETN1HM-475Z	E CAP.	4.7μF 50V M	
C1206	QFLC1HJ-103Z	M CAP.	0.01μF 50V J	
C1207	QETN1CM-227Z	E CAP.	220μF 16V M	
C1208	QETN1CM-107Z	E CAP.	100μF 16V M	
C1209	QCB31HK-103Z	C CAP.	0.01μF 50V K	
C1210	QETN1HM-106Z	E CAP.	10μF 50V M	
C1212	QETN1HM-106Z	E CAP.	10μF 50V M	
C1301	QFLC1HJ-823Z	M CAP.	0.082μF 50V J	
C1302	QCB31HK-103Z	C CAP.	0.01μF 50V K	
C1303	QDC31HJ-120Z	C CAP.	12pF 50V J	
C1304	QFV71HJ-104Z	TF CAP.	0.1μF 50V J	
C1305	QFV71HJ-104Z	TF CAP.	0.1μF 50V J	
C1306	QFV71HJ-104Z	TF CAP.	0.1μF 50V J	
C1307	QETN1HM-225Z	E CAP.	2.2μF 50V M	
C1308	QFLC1HJ-103Z	M CAP.	0.01μF 50V J	
C1309	QETN1HM-475Z	E CAP.	4.7μF 50V M	
C1310	QCB31HK-103Z	C CAP.	0.01μF 50V K	
C1311	QETN1CM-477Z	E CAP.	470μF 16V M	
C1312	QETN1CM-227Z	E CAP.	220μF 16V M	
C1313	QFLC1HJ-103Z	M CAP.	0.01μF 50V J	
C1314	QFLC1HJ-103Z	M CAP.	0.01μF 50V J	
C1315	QFLC1HJ-103Z	M CAP.	0.01μF 50V J	
C1321	QCS31HJ-101Z	C CAP.	100pF 50V K	
C1322	QCS31HJ-101Z	C CAP.	100pF 50V K	
C1323	QETN1HM-106Z	E CAP.	10μF 50V M	
C1402	QBHC1CK-225Z	TAN. CAP.	2.2μF 16V K	
C1403	QETN1HM-105Z	E CAP.	1μF 50V M	
C1420	QFLC1HJ-182Z	M CAP.	1800pF 50V J	
C1421	QFLC1HJ-102Z	M CAP.	1000pF 50V J	
C1423	QFLC2AJ-393Z	M CAP.	0.039μF 100V J	
C1427	QETM1VM-108	E CAP.	1000μF 35V M	
C1428	QETM1VM-107Z	E CAP.	100μF 35V M	
C1430	QFN32AJ-102Z	M CAP.	1000pF 100V J	
C1431	QCB31HK-221Z	C CAP.	220pF 50V K	
C1432	QCB32HK-221Z	C CAP.	220pF 500V K	
C1433	QETN1HM-475Z	E CAP.	4.7μF 50V M	

Symbol No.	Part No.	Part Name	Description	Local
CAPACITOR				
C1435	QEHR1EM-108Z	E CAP.	1000μF 25V M	
C1436	QFV71HJ-334Z	TF CAP.	0.33μF 50V J	
C1451	QETN1HM-106Z	E CAP.	10μF 50V M	
C1501	QCB31HK-103Z	C CAP.	0.01μF 50V K	
C1502	QETN1HM-105Z	E CAP.	1μF 50V M	
C1503	QETM1CM-228	E CAP.	2200μF 16V M	
C1504	QCB31HK-103Z	C CAP.	0.01μF 50V K	
C1505	QCB31HK-103Z	C CAP.	0.01μF 50V K	
C1506	QCB31HK-103Z	C CAP.	0.01μF 50V K	
C1507	QFLC1HJ-103Z	M CAP.	0.01μF 50V J	
C1508	QETN1AM-107Z	E CAP.	100μF 10V M	
C1509	QCB31HK-103Z	C CAP.	0.01μF 50V K	
C1521	QCB32HK-151Z	C CAP.	150pF 500V K	
C1522	QCB32HK-102Z	C CAP.	1000pF 500V K	
C1523	QEHR2CM-105Z	E CAP.	1μF 160V M	
C1524	QFZ0152-8601	MPP CAP.	8600pF 1.5kV±2.5%	
C1527	QFZ0151-474	MPP CAP.	0.47μF 200V ±3%	
C1529	QETN2EM-475Z	E CAP.	4.7μF 250V M	
C1530	QCB32HK-561Z	C CAP.	560pF 500V K	
C1551	QCB32HK-152Z	C CAP.	1500pF 500V K	
C1552	QETM1VM-108	E CAP.	1000μF 35V M	
C1557	QETN2EM-475Z	E CAP.	4.7μF 250V M	
C1581	QFV71HJ-104Z	TF CAP.	0.1μF 50V J	
C1651	QENC1EM-106Z	BP E CAP.	10μF 25V M	
C1652	QENC1EM-106Z	BP E CAP.	10μF 25V M	
C1653	QETN1EM-227Z	E CAP.	220μF 25V M	
C1673	QCS31HJ-221Z	C CAP.	220pF 50V J	
C1674	QCS31HJ-221Z	C CAP.	220pF 50V J	
C1677	QETN1EM-107Z	E CAP.	100μF 25V M	
C1678	QETN1EM-107Z	E CAP.	100μF 25V M	
C1680	QEHR1EM-108Z	E CAP.	1000μF 25V M	
C1681	QEHR1EM-108Z	E CAP.	1000μF 25V M	
C1682	QFV71HJ-224Z	TF CAP.	0.22μF 50V J	
C1683	QFV71HJ-224Z	TF CAP.	0.22μF 50V J	
C1684	QETM1EM-108	E CAP.	1000μF 25V M	
C1685	QETM1EM-108	E CAP.	1000μF 25V M	
C1686	QETN1EM-476Z	E CAP.	47μF 25V M	
C1687	QETN1EM-476Z	E CAP.	47μF 25V M	
C1698	QFV71HJ-224Z	TF CAP.	0.22μF 50V J	
C1699	QFV71HJ-224Z	TF CAP.	0.22μF 50V J	
C1701	QETN1EM-227Z	E CAP.	220μF 25V M	
C1702	QFV71HJ-104Z	TF CAP.	0.1μF 50V J	
C1703	QETN1CM-107Z	E CAP.	100μF 16V M	
C1704	QFLC1HJ-103Z	M CAP.	0.01μF 50V J	
C1705	QETN1AM-107Z	E CAP.	100μF 10V M	
C1707	QETN1HM-106Z	E CAP.	10μF 50V M	
C1710	QFLC1HJ-103Z	M CAP.	0.01μF 50V J	
C1711	QFV71HJ-104Z	TF CAP.	0.1μF 50V J	
C1712	QETN1AM-107Z	E CAP.	100μF 10V M	
C1713	QCS31HJ-271Z	C CAP.	270pF 50V J	
C1714	QFV71HJ-104Z	TF CAP.	0.1μF 50V J	
C1715	QFLC1HJ-473Z	M CAP.	0.047μF 50V J	
C1716	QENC1HM-105Z	BP E CAP.	1μF 50V M	
C1718	QCB31HK-103Z	C CAP.	0.01μF 50V K	
C1719	QCB31HK-102Z	C CAP.	1000pF 50V K	
C1724	QDC31HJ-560Z	C CAP.	56pF 50V J	
C1725	QDC31HJ-560Z	C CAP.	56pF 50V J	
C1726	QCS31HJ-101Z	C CAP.	100pF 50V K	
C1727	QFLC1HJ-103Z	M CAP.	0.01μF 50V J	
C1728	QCB31HK-103Z	C CAP.	0.01μF 50V K	
C1729	QCB31HK-103Z	C CAP.	0.01μF 50V K	
C1730	QCS31HJ-181Z	C CAP.	180pF 50V J	
C1731	QFLC1HJ-103Z	M CAP.	0.01μF 50V J	
C1732	QETN1HM-106Z	E CAP.	10μF 50V M	
C1733	QFV71HJ-104Z	TF CAP.	0.1μF 50V J	
△ C1771	QCB31HK-102Z	C CAP.	1000pF 50V K	
△ C1902	QFZ9040-104	MF CAP.	0.1μF AC275V M	
△ C1903	QFZ9040-473	MF CAP.	0.047μF AC275V M	
C1904	QCZ9054-102	C CAP.	1000pF AC250V Z	
C1905	QCZ9054-102	C CAP.	1000pF AC250V Z	
C1906	QCZ9054-102	C CAP.	1000pF AC250V Z	
C1907	QCZ9054-102	C CAP.	1000pF AC250V Z	
C1909	QEZ0199-227	E CAP.	220μF 400V M	
C1922	QCS31HJ-471Z	C CAP.	470pF 50V J	
C1924	QETN1HM-475Z	E CAP.	4.7μF 50V M	

Symbol No.	Part No.	Part Name	Description	Local
CAPACITOR				
C1926	QFLC1HJ-222Z	M CAP.	2200pF 50V	J
C1929	QCZ0334-103	C CAP.	0.01μF 500V	P
C1930	QCZ0340-221	C CAP.	220pF 2kV	K
C1931	QETN1HM-476Z	E CAP.	47μF 50V	M
C1932	QCZ0340-102	C CAP.	1000pF 2kV	K
C1940	QCB32HK-391Z	C CAP.	390pF 500V	K
C1941	QCZ0340-561	C CAP.	560pF 2kV	K
C1942	QEZO203-107	E CAP.	100μF 160V	M
C1943	QEZO203-107	E CAP.	100μF 160V	M
C1944	QCB32HK-681Z	C CAP.	680pF 500V	K
C1945	QEHR1EM-108Z	E CAP.	1000μF 25V	M
C1946	QCB32HK-561Z	C CAP.	560pF 500V	K
C1947	QCB32HK-561Z	C CAP.	560pF 500V	K
C1948	QEHR1EM-108Z	E CAP.	1000μF 25V	M
C1949	QCB31HK-102Z	C CAP.	1000pF 50V	K
C1950	QFV71HJ-104Z	TF CAP.	0.1μF 50V	J
C1952	QEHR1CM-108Z	E CAP.	1000μF 16V	M
C1953	QETN1EM-108Z	E CAP.	1000μF 25V	M
C1971	QETN1HM-106Z	E CAP.	10μF 50V	M
C1972	QEHR1CM-477Z	E CAP.	470μF 16V	M
C1973	QEHR1EM-107Z	E CAP.	100μF 25V	M
C1974	QEHR1VM-476Z	E CAP.	47μF 35V	M
C1975	QETN1CM-107Z	E CAP.	100μF 16V	M
C1976	QETN1CM-107Z	E CAP.	100μF 16V	M
C1977	QETN1CM-108Z	E CAP.	1000μF 16V	M
C1978	QETN1AM-107Z	E CAP.	100μF 10V	M
C1979	QETNOJM-107Z	E CAP.	100μF 6.3V	M
△ C1991	QCZ9079-471	C CAP.	470pF AC250V	K
△ C1992	QCZ9079-471	C CAP.	470pF AC250V	K
△ C1993	QCZ9079-222	C CAP.	2200pF AC250V	M

TRANSFORMER

T1521	CE42034-001	HOR DRIVE TRANSF.
△ T1522	QQH0022-002	H.V. TRANSF.
△ T1921	QQS0039-001	SW TRANSF.

COIL

L1001	QQL05BK-8R2Z	PEAKING COIL	8.2μH	K
L1201	QQL05BK-4R7Z	PEAKING COIL	4.7μH	K
L1301	QQL244K-470Z	PEAKING COIL	47μH	K
L1302	QQL244K-470Z	PEAKING COIL	47μH	K
L1522	QQR1005-001	LINEARITY COIL		
L1551	QQLZ018-220	HEATER CHOKE		
L1701	QQL244K-8R2Z	PEAKING COIL	8.2μH	K
L1702	QQL244K-5R6Z	PEAKING COIL	5.6μH	K
L1703	QQL244K-100Z	PEAKING COIL	10μH	K
L1941	QQL42AK-820Z	CHOKE COIL	82μH	K
L1942	QQL42AK-820Z	CHOKE COIL	82μH	K
L1943	QQL42AK-820Z	CHOKE COIL	82μH	K

DIODE

D1001	MTZJ33A-T2	ZENER DIODE
D1203	1SS133-T2	SI DIODE
D1301	MTZJ3.9B-T2	ZENER DIODE
D1421	1SS133-T2	SI DIODE
D1422	MTZJ75-T2	ZENER DIODE
D1423	1SR124-400A-T2	SI DIODE
D1427	MTZJ75-T2	ZENER DIODE
D1428	MTZJ6.8A-T2	ZENER DIODE
D1452	MTZJ22B-T2	ZENER DIODE
D1453	1SS133-T2	SI DIODE
D1501	MTZJ9.1C-T2	ZENER DIODE
D1523	RGP10J-5025-T3	SI DIODE
D1551	RU3AM-LFC4	SI DIODE
D1553	RH1S-T3	SI DIODE
D1582	RGP10J-5025-T3	SI DIODE
D1701	1SS133-T2	SI DIODE
D1702	1SS133-T2	SI DIODE
D1703	1SS133-T2	SI DIODE
D1706	MTZJ8.2B-T2	ZENER DIODE
D1707	MTZJ8.2B-T2	ZENER DIODE

Symbol No.	Part No.	Part Name	Description	Local
DIODE				
D1708	MTZJ8.2B-T2	ZENER DIODE		
D1709	MTZJ8.2B-T2	ZENER DIODE		
D1710	MTZJ8.2B-T2	ZENER DIODE		
D1713	1SS133-T2	SI DIODE		
D1716	1SS133-T2	SI DIODE		
D1717	1SS133-T2	SI DIODE		
D1721	1SS133-T2	SI DIODE		
D1722	1SS133-T2	SI DIODE		
D1723	1SS133-T2	SI DIODE		
D1724	1SS133-T2	SI DIODE		
D1901	D3SBA60	BRIDGE DIODE		
D1921	1SR124-400A-T2	SI DIODE		
D1922	1SS133-T2	SI DIODE		
D1924	1SS133-T2	SI DIODE		
D1925	MTZJ18A-T2	ZENER DIODE		
D1926	EG1A-T3	SI DIODE		
D1927	MTZJ6.2B-T2	ZENER DIODE		
D1928	1SS133-T2	SI DIODE		
D1929	MTZJ15A-T2	ZENER DIODE		
D1932	MTZJ15A-T2	ZENER DIODE		
D1941	RU3AM-LFC4	SI DIODE		
D1942	RU3YX-LFC4	SI DIODE		
D1943	RU3YX-LFC4	SI DIODE		
D1944	MTZJ5.1B-T2	ZENER DIODE		
D1945	RGP10J-5025-T3	SI DIODE		
D1946	1SR124-400A-T2	SI DIODE		
D1971	MTZJ7.5B-T2	ZENER DIODE		
D1981	1SS133-T2	SI DIODE		
D1982	1SS133-T2	SI DIODE		
D1983	1SS133-T2	SI DIODE		
D1984	1SS133-T2	SI DIODE		
D1986	MTZJ4.7A-T2	ZENER DIODE		
D1987	1SS133-T2	SI DIODE		

TRANSISTOR

Q1151	2SC1740S/QR/-T	SI TRANSISTOR	
Q1201	2SA933AS/QR/-T	SI TRANSISTOR	
Q1422	2SC1740S/QR/-T	SI TRANSISTOR	
Q1423	2SC1740S/QR/-T	SI TRANSISTOR	
Q1424	2SC1740S/QR/-T	SI TRANSISTOR	
Q1451	2SC1815/YG/-T	SI TRANSISTOR	
Q1452	2SC1815/YG/-T	SI TRANSISTOR	
Q1521	BSN304-T	TRANSISTOR	
Q1522	2SD1878-YD	PW TRANSISTOR	H. OUT
Q1651	DTC323TS-T	DIGI TRANSISTOR	
Q1652	DTC323TS-T	DIGI TRANSISTOR	
Q1653	2SA933AS/QR/-T	SI TRANSISTOR	
Q1701	2SA933AS/QR/-T	SI TRANSISTOR	
Q1702	2SC1740S/QR/-T	SI TRANSISTOR	
Q1703	2SC1740S/QR/-T	SI TRANSISTOR	
Q1704	2SC1740S/QR/-T	SI TRANSISTOR	
Q1922	2SC1815/YG/-T	SI TRANSISTOR	
Q1941	2SC1740S/QR/-T	SI TRANSISTOR	
Q1942	DTC144GSA-T	DIGI TRANSISTOR	
Q1971	2SA966/OY/-T	SI TRANSISTOR	
Q1972	2SD2144S/VW/-T	DIGI TRANSISTOR	
Q1973	2SA966/OY/-T	SI TRANSISTOR	
Q1974	DTC144GSA-T	DIGI TRANSISTOR	
Q1975	2SA949/Y/Z1	SI TRANSISTOR	
Q1981	2SA933AS/QR/-T	SI TRANSISTOR	

IC

IC1201	TB1227BN	IC	
IC1421	LA7840	IC	
IC1681	LA4446	IC	
IC1701	M37204MC-D42SP	IC (MICROCOMPUTER)	
IC1702	AT24C08-F21MS5	IC (MEMORY)	(Service)
IC1703	L78LRO5E-MA	IC (5V REG/RESET)	
IC1921	STR-F6654	IC (SW REG)	
IC1941	S1854A	IC	
IC1971	BA17812T	IC (12V REG)	

△ Symbol No.	Part No.	Part Name	Description	Local
IC				
IC1972	BA17809T	IC (9V REG)		
IC1973	PQ05RF11	IC (5V REG)		
IC1974	AN78L05-T	IC (5V REG)		
OTHERS				
	CEMG002-001Z	FUSE CLIP (x2)		
	QGF1220C2-25	FFC/FPC CONNECTOR		
△ CN1002	ICP-N75-Y	IC PROTECTOR		
△ CP1942	ICP-N5-Y	IC PROTECTOR		
△ CP1944	ICP-N75-Y	IC PROTECTOR		
△ CP1945	CE42142-222Z	EMI FILTER		
△ EF1201	QMF51E2-3R15J4	FUSE	3.15A	
△ F1901	QRZ9017-4R7	F R	4.7Ω	1/4W J
△ FR1551				
△ FR1552	QRZ9021-1R0	F R	1.0Ω	1W J
△ FR1554	QRZ9017-2R2	F R	2.2Ω	1/4W J
K1002	CE41433-001Z	BEADS CORE		
K1201	CE41433-001Z	BEADS CORE		
K1421	CE41433-001Z	BEADS CORE		
K1501	CE41433-001Z	BEADS CORE		
K1921	QQR0872-001Y	FERRITE BEADS		
K1923	CE42050-001Z	CORE SLEEVE		
K1941	QQR0872-001Y	FERRITE BEADS		
K1942	CE42050-001Z	CORE SLEEVE		
K1944	CE42050-001Z	CORE SLEEVE		
K1945	CE41433-001Z	BEADS CORE		
K1946	CE42050-001Z	CORE SLEEVE		
K1948	CE42050-001Z	CORE SLEEVE		
△ LF1902	QQR0527-001	LINE FILTER		
△ PC1921	PC123F2	PHOTO COUPLER		
S1401	QSL4A13-C02	LEVER SWITCH		
TH1901	QAD0101-9R0	P THERMISTOR		
TU1001	CEEM574-B02	CABLE TUNER		
△ VA1901	ERZV10V621CS	VARIATOR		
X1301	QAX0354-001	XTAL		
X1701	CST8.00MTW	C RESONATOR		

CRT SOCKET P.W. BOARD ASS'Y (SCM-3201A-H2)

△ Symbol No.	Part No.	Part Name	Description	Local
RESISTOR				
R3351	NRSA02J-151X	CH MG R	150Ω 1/10W	J
R3352	NRSA02J-151X	CH MG R	150Ω 1/10W	J
R3353	NRSA02J-151X	CH MG R	150Ω 1/10W	J
R3354	QRL029J-153	OM R	15kΩ 2W	J
R3355	QRE121J-272Y	C R	2.7kΩ 1/2W	J
R3356	QRE121J-331Y	C R	330Ω 1/2W	J
R3357	QRL029J-153	OM R	15kΩ 2W	J
R3358	QRE121J-272Y	C R	2.7kΩ 1/2W	J
R3359	QRE121J-331Y	C R	330Ω 1/2W	J
R3360	QRL029J-153	OM R	15kΩ 2W	J
R3361	QRE121J-272Y	C R	2.7kΩ 1/2W	J
R3362	QRE121J-331Y	C R	330Ω 1/2W	J
R3363	QRZ0107-152Z	C R	1.5kΩ 1/2W	K
R3364	NRSA02J-562X	CH MG R	5.6kΩ 1/10W	J
R3365	NRSA02J-101X	CH MG R	100Ω 1/10W	J
R3366	QRZ0107-152Z	C R	1.5kΩ 1/2W	K
R3367	NRSA02J-101X	CH MG R	100Ω 1/10W	J
R3368	QRZ0107-152Z	C R	1.5kΩ 1/2W	K
R3369	NRSA02J-101X	CH MG R	100Ω 1/10W	J
R3370	QRE121J-104Y	C R	100kΩ 1/2W	J
R3372	NRSA02J-103X	CH MG R	10kΩ 1/10W	J
R3373	QRE121J-104Y	C R	100kΩ 1/2W	J

CAPACITOR

C3351	QETC1CM-107Z	E CAP.	100μF 16V	M
C3353	QCB31HK-331Z	C CAP.	330pF 50V	K
C3355	QCB31HK-331Z	C CAP.	330pF 50V	K
C3357	QCB31HK-391Z	C CAP.	390pF 50V	K
C3359	QFZ0097-223	MM CAP.	0.022μF 1250V	K
C3361	QFZ0097-223	MM CAP.	0.022μF 1250V	K

COIL

L3351	QQL244K-680Z	PEAKING COIL	68μH	K
L3352	QQL244K-680Z	PEAKING COIL	68μH	K
L3353	QQL244K-680Z	PEAKING COIL	68μH	K

DIODE

D3351	MA3047/H/-X	CHIP ZENER DIODE		
D3352	MA111-X	CHIP DIODE		
D3353	MA3047/H/-X	CHIP ZENER DIODE		
D3354	MA111-X	CHIP DIODE		
D3355	MA3047/H/-X	CHIP ZENER DIODE		
D3356	MA111-X	CHIP DIODE		

TRANSISTOR

Q3351	2SC2371/MLK/	SI TRANSISTOR		
Q3352	2SC2371/MLK/	SI TRANSISTOR		
Q3353	2SC2371/MLK/	SI TRANSISTOR		

OTHERS

△ SK3351	CE42446-001	CRT SOCKET		
----------	-------------	------------	--	--

**FRONT CONTROL P.W. BOARD ASS'Y
(SCM-8206A-H2)**

Symbol No.	Part No.	Part Name	Description	Local
RESISTOR				
R8001	NRSA02J-332X	CH MG R	3.3kΩ 1/10W	J
R8002	NRSA02J-561X	CH MG R	560Ω 1/10W	J
R8003	NRSA02J-682X	CH MG R	6.8kΩ 1/10W	J
R8005	NRSA02J-332X	CH MG R	3.3kΩ 1/10W	J
R8006	NRSA02J-682X	CH MG R	6.8kΩ 1/10W	J
R8007	NRSA02J-103X	CH MG R	10kΩ 1/10W	J
R8008	NRSA02J-332X	CH MG R	3.3kΩ 1/10W	J
R8010	NRSA02J-222X	CH MG R	2.2kΩ 1/10W	J
R8011	NRSA02J-103X	CH MG R	10kΩ 1/10W	J
R8012	NRSA02J-822X	CH MG R	8.2kΩ 1/10W	J
R8015	NRSA02J-224X	CH MG R	220kΩ 1/10W	J
R8016	NRSA02J-102X	CH MG R	1kΩ 1/10W	J
R8018	QRE121J-271Y	C R	270Ω 1/2W	J
R8019	QRE121J-271Y	C R	270Ω 1/2W	J
R8020	NRSA02J-102X	CH MG R	1kΩ 1/10W	J
R8022	NRSA02J-681X	CH MG R	680Ω 1/10W	J
R8401	NRSA02J-0ROX	CH MG R	0.0Ω 1/10W	J
R8402	NRSA02J-820X	CH MG R	82Ω 1/10W	J
R8403	NRSA02J-102X	CH MG R	1kΩ 1/10W	J
R8404	NRSA02J-224X	CH MG R	220kΩ 1/10W	J
R8405	NRSA02J-102X	CH MG R	1kΩ 1/10W	J
R8406	NRSA02J-224X	CH MG R	220kΩ 1/10W	J
R8407	NRSA02J-223X	CH MG R	22kΩ 1/10W	J
R8408	NRSA02J-223X	CH MG R	22kΩ 1/10W	J
R8409	NRSA02J-472X	CH MG R	4.7kΩ 1/10W	J
R8410	NRSA02J-472X	CH MG R	4.7kΩ 1/10W	J
R8411	NRSA02J-0ROX	CH MG R	0.0Ω 1/10W	J
R8412	NRSA02J-0ROX	CH MG R	0.0Ω 1/10W	J
R8413	QRG01GJ-101	OM R	100Ω 1W	J

CAPACITOR

C8010	QETN1HM-106Z	E CAP.	10μF 50V	M
C8015	QETN1EM-476Z	E CAP.	47μF 25V	M
C8016	NCF21EZ-104X	CH C CAP.	0.1μF 25V	Z
C8404	QETN1HM-105Z	E CAP.	1μF 50V	M
C8405	QETN1HM-105Z	E CAP.	1μF 50V	M
C8406	QENC1HM-106Z	BP E CAP.	10μF 50V	M
C8407	QENC1HM-106Z	BP E CAP.	10μF 50V	M
C8408	QETN1EM-476Z	E CAP.	47μF 25V	M
C8409	QETN1EM-476Z	E CAP.	47μF 25V	M

DIODE

D8002	SLR-342DU-T16	LED (ORG)		
D8004	SLR-342VR-T16	LED (RED)		
D8006	NRSA02J-0ROX	CH MG R	0.0Ω 1/10W	J
D8007	MA111-X	CHIP DIODE		
D8402	MA3100/M/-X	CHIP ZENER DIODE		
D8403	MA3100/M/-X	CHIP ZENER DIODE		

TRANSISTOR

Q8001	DTC124EKA-X	DIGI TRANSISTOR		
Q8005	2SC2412K/QR/-X	CHIP TRANSISTOR		
Q8006	DTC124EKA-X	DIGI TRANSISTOR		

IC

IC8001	PIC-28043SR	IR DETECT UNIT		
IC8401	BA4558F-X	IC		

OTHERS

	CM35921-005-H	CDS HOLDER		
	LC30114-001C-H	LED HOLDER		
CN8002	QGF1220C2-25	FFC/FPC CONNECTOR		
J8003	CEMNO65-001	PIN JACK		
J8004	CEMNO72-002	PIN JACK		
J8005	CEMNO72-003	PIN JACK		
PC8001	P1241-04	CDS		

Symbol No.	Part No.	Part Name	Description	Local
OTHERS				
S8002	QSP1A11-C18Z	PUSH SWITCH	CH+	
S8004	QSP1A11-C18Z	PUSH SWITCH	CH-	
S8005	QSP1A11-C18Z	PUSH SWITCH	VOL+	
S8006	QSP1A11-C18Z	PUSH SWITCH	MENU	
S8007	QSP1A11-C18Z	PUSH SWITCH	VOL-	
△ S8901	QSP2J21-C03	PUSH SWITCH	POWER	

IF P.W. BOARD ASS'Y (SCM0F201A-H2)

Symbol No.	Part No.	Part Name	Description	Local
RESISTOR				
R0101	NRSA02J-682X	CH MG R	6.8kΩ 1/10W J	
R0102	NRSA02J-181X	CH MG R	180Ω 1/10W J	
R0103	NRSA02J-222X	CH MG R	2.2kΩ 1/10W J	
R0104	NRSA02J-122X	CH MG R	1.2kΩ 1/10W J	
R0105	NRSA02J-680X	CH MG R	68Ω 1/10W J	
R0107	NRSA02J-0R0X	CH MG R	0.0Ω 1/10W J	
R0108	NRSA02J-272X	CH MG R	2.7kΩ 1/10W J	
R0109	NRSA02J-101X	CH MG R	100Ω 1/10W J	
R0110	NRSA02J-103X	CH MG R	10kΩ 1/10W J	
R0111	NRSA02J-561X	CH MG R	560Ω 1/10W J	
R0112	NRSA02J-561X	CH MG R	560Ω 1/10W J	
R0113	NRSA02J-0R0X	CH MG R	0.0Ω 1/10W J	
R0114	NRSA02J-104X	CH MG R	100kΩ 1/10W J	
R0115	NRSA02J-272X	CH MG R	2.7kΩ 1/10W J	
R0116	NRSA02J-273X	CH MG R	27kΩ 1/10W J	
R0117	NRSA02J-224X	CH MG R	220kΩ 1/10W J	
R0118	NRSA02J-822X	CH MG R	8.2kΩ 1/10W J	
R0121	NRSA02J-151X	CH MG R	150Ω 1/10W J	
R0123	NRSA02J-102X	CH MG R	1kΩ 1/10W J	
R0124	NRSA02J-103X	CH MG R	10kΩ 1/10W J	
R0125	NRSA02J-181X	CH MG R	180Ω 1/10W J	
R0126	NRSA02J-681X	CH MG R	680Ω 1/10W J	
R0127	NRSA02J-181X	CH MG R	180Ω 1/10W J	
R0128	NRSA02J-102X	CH MG R	1kΩ 1/10W J	
R0129	NRSA02J-221X	CH MG R	220Ω 1/10W J	
R0130	NRSA02J-331X	CH MG R	330Ω 1/10W J	
R0131	NRSA02J-331X	CH MG R	330Ω 1/10W J	
R0135	NRSA02J-224X	CH MG R	220kΩ 1/10W J	
R0603	NRSA02J-103X	CH MG R	10kΩ 1/10W J	
R0619	NRSA02J-102X	CH MG R	1kΩ 1/10W J	

CAPACITOR

C0101	NCB21HK-472X	CH C CAP.	4700pF 50V K	
C0102	NCB21HK-472X	CH C CAP.	4700pF 50V K	
C0103	NCB21HK-472X	CH C CAP.	4700pF 50V K	
C0104	NCB21HK-472X	CH C CAP.	4700pF 50V K	
C0105	NCB21HK-472X	CH C CAP.	4700pF 50V K	
C0106	NCB21HK-472X	CH C CAP.	4700pF 50V K	
C0107	NCB21HK-472X	CH C CAP.	4700pF 50V K	
C0108	NCB21HK-103X	CH C CAP.	0.01μF 50V K	
C0110	NCB21HK-103X	CH C CAP.	0.01μF 50V K	
C0111	NCB21HK-103X	CH C CAP.	0.01μF 50V K	
C0112	NCB21EK-104X	CH C CAP.	0.1μF 25V K	
C0114	QETN1HM-474Z	E CAP.	0.47μF 50V M	
C0116	QETN1HM-474Z	E CAP.	0.47μF 50V M	
C0118	NCB21HK-103X	CH C CAP.	0.01μF 50V K	
C0119	QETN1CM-476Z	E CAP.	47μF 16V M	
C0120	QETN1CM-476Z	E CAP.	47μF 16V M	
C0121	NCB21HK-103X	CH C CAP.	0.01μF 50V K	
C0122	QETN1CM-476Z	E CAP.	47μF 16V M	
C0123	NCB21HK-103X	CH C CAP.	0.01μF 50V K	
C0125	NCB21HK-103X	CH C CAP.	0.01μF 50V K	
C0126	NCB21HK-103X	CH C CAP.	0.01μF 50V K	
C0127	NCB21HK-103X	CH C CAP.	0.01μF 50V K	
C0128	NCB21HK-103X	CH C CAP.	0.01μF 50V K	
C0129	NCB21HK-103X	CH C CAP.	0.01μF 50V K	

TRANSFORMER

T0101	CELT001-303J3	CW TRANSF.		
-------	---------------	------------	--	--

COIL

L0101	QQLZ014-2R2	PEAKING COIL	2.2μH	
L0104	QQL244K-120Z	PEAKING COIL	12μH	K
L0105	QQL244K-8R2Z	PEAKING COIL	8.2μH	K
L0106	QQL244K-8R2Z	PEAKING COIL	8.2μH	K

DIODE

D0101	1SS85-T2	SI DIODE		
D0102	1SS85-T2	SI DIODE		
D0104	MA111-X	CHIP DIODE		

Symbol No.	Part No.	Part Name	Description	Local
TRANSISTOR				
Q0101	2SC5083/L-P/-T	SI TRANSISTOR		
Q0102	DTC124EKA-X	DIGI TRANSISTOR		
Q0103	2SC2412K/QR/-X	CHIP TRANSISTOR		
Q0104	2SA1037AK/QR/-X	SI TRANSISTOR		
Q0105	DTC124EKA-X	DIGI TRANSISTOR		
Q0106	DTC124EKA-X	DIGI TRANSISTOR		
Q0107	2SC2412K/QR/-X	CHIP TRANSISTOR		
Q0108	2SA1037AK/QR/-X	SI TRANSISTOR		
Q0109	2SA1037AK/QR/-X	SI TRANSISTOR		
Q0110	DTC124EKA-X	DIGI TRANSISTOR		
Q0606	2SA1037AK/QR/-X	SI TRANSISTOR		
Q0607	2SA1037AK/QR/-X	SI TRANSISTOR		

IC

IC0101	M52342SP	IC		
--------	----------	----	--	--

OTHERS

CF0101	QAX0472-001	CERAMIC TRAP		
CF0102	QAX0408-001	CERAMIC TRAP		
CF0103	QAX0339-001	CERAMIC TRAP		
CF0104	TPS5.5MW	C TRAP		
CF0105	TPS6.5MB	CERAMIC TRAP		
CF0106	TPSH6.0MB	CERAMIC TRAP		
SF0101	QAX0323-001	SAW FILTER		

AV SW P.W. BOARD ASS'Y (SCM0Y208A-H2)

△ Symbol No.	Part No.	Part Name	Description	Local
RESISTOR				
R0101	NRSA02J-472X	CH MG R	4.7kΩ 1/10W J	
R0102	NRSA02J-152X	CH MG R	1.5kΩ 1/10W J	
R0104	NRSA02J-331X	CH MG R	330Ω 1/10W J	
R0105	NRSA02J-0R0X	CH MG R	0.0Ω 1/10W J	
R0106	NRSA02J-472X	CH MG R	4.7kΩ 1/10W J	
R0107	NRSA02J-220X	CH MG R	22Ω 1/10W J	
R0108	NRSA02J-101X	CH MG R	100Ω 1/10W J	
R0109	NRSA02J-223X	CH MG R	22kΩ 1/10W J	
R0110	NRSA02J-223X	CH MG R	22kΩ 1/10W J	
R0111	NRSA02J-222X	CH MG R	2.2kΩ 1/10W J	
R0112	NRSA02J-222X	CH MG R	2.2kΩ 1/10W J	
R0113	NRSA02J-223X	CH MG R	22kΩ 1/10W J	
R0114	NRSA02J-223X	CH MG R	22kΩ 1/10W J	
R0115	NRSA02J-222X	CH MG R	2.2kΩ 1/10W J	
R0117	NRSA02J-153X	CH MG R	15kΩ 1/10W J	
R0119	NRSA02J-223X	CH MG R	22kΩ 1/10W J	
R0120	NRSA02J-0R0X	CH MG R	0.0Ω 1/10W J	
R0121	NRSA02J-223X	CH MG R	22kΩ 1/10W J	
R0122	NRSA02J-223X	CH MG R	22kΩ 1/10W J	
R0123	NRSA02J-101X	CH MG R	100Ω 1/10W J	
R0124	NRSA02J-102X	CH MG R	1kΩ 1/10W J	
R0125	NRSA02J-681X	CH MG R	680Ω 1/10W J	
R0126	NRSA02J-102X	CH MG R	1kΩ 1/10W J	
R0127	NRSA02J-151X	CH MG R	150Ω 1/10W J	
R0129	NRSA02J-334X	CH MG R	330kΩ 1/10W J	
R0130	NRSA02J-824X	CH MG R	820kΩ 1/10W J	
R0131	NRSA02J-223X	CH MG R	22kΩ 1/10W J	
R0132	NRSA02J-102X	CH MG R	1kΩ 1/10W J	
R0133	NRSA02J-822X	CH MG R	8.2kΩ 1/10W J	
R0134	NRSA02J-102X	CH MG R	1kΩ 1/10W J	
R0135	NRSA02J-102X	CH MG R	1kΩ 1/10W J	
R0136	NRSA02J-152X	CH MG R	1.5kΩ 1/10W J	
R0151	NRSA02J-222X	CH MG R	2.2kΩ 1/10W J	
R0152	NRSA02J-271X	CH MG R	270Ω 1/10W J	
R0153	NRSA02J-271X	CH MG R	270Ω 1/10W J	
R0154	NRSA02J-271X	CH MG R	270Ω 1/10W J	
R0301	NRSA02J-821X	CH MG R	820Ω 1/10W J	
R0302	NRSA02J-182X	CH MG R	1.8kΩ 1/10W J	
R0303	NRSA02J-101X	CH MG R	100Ω 1/10W J	
R0305	NRSA02J-102X	CH MG R	1kΩ 1/10W J	
R0308	NRSA02J-681X	CH MG R	680Ω 1/10W J	
R0309	NRSA02J-562X	CH MG R	5.6kΩ 1/10W J	
R0310	NRSA02J-102X	CH MG R	1kΩ 1/10W J	
R0312	NRSA02J-102X	CH MG R	1kΩ 1/10W J	
R0313	NRSA02J-561X	CH MG R	560Ω 1/10W J	
R0401	NRSA02J-221X	CH MG R	220Ω 1/10W J	
R0402	NRSA02J-820X	CH MG R	82Ω 1/10W J	
R0403	NRSA02J-102X	CH MG R	1kΩ 1/10W J	
R0404	NRSA02J-224X	CH MG R	220kΩ 1/10W J	
R0405	NRSA02J-102X	CH MG R	1kΩ 1/10W J	
R0406	NRSA02J-224X	CH MG R	220kΩ 1/10W J	
R0407	NRSA02J-221X	CH MG R	220Ω 1/10W J	
R0408	NRSA02J-563X	CH MG R	56kΩ 1/10W J	
R0409	NRSA02J-820X	CH MG R	82Ω 1/10W J	
R0410	NRSA02J-820X	CH MG R	82Ω 1/10W J	
R0411	NRSA02J-221X	CH MG R	220Ω 1/10W J	
R0412	NRSA02J-563X	CH MG R	56kΩ 1/10W J	
R0413	NRSA02J-222X	CH MG R	2.2kΩ 1/10W J	
R0414	NRSA02J-221X	CH MG R	220Ω 1/10W J	
R0415	NRSA02J-820X	CH MG R	82Ω 1/10W J	
R0416	NRSA02J-102X	CH MG R	1kΩ 1/10W J	
R0417	NRSA02J-224X	CH MG R	220kΩ 1/10W J	
R0418	NRSA02J-102X	CH MG R	1kΩ 1/10W J	
R0419	NRSA02J-224X	CH MG R	220kΩ 1/10W J	
R0420	NRSA02J-471X	CH MG R	470Ω 1/10W J	
R0421	NRSA02J-680X	CH MG R	68Ω 1/10W J	
R0422	NRSA02J-222X	CH MG R	2.2kΩ 1/10W J	
R0423	NRSA02J-391X	CH MG R	390Ω 1/10W J	
R0424	NRSA02J-391X	CH MG R	390Ω 1/10W J	
R0425	NRSA02J-473X	CH MG R	47kΩ 1/10W J	
R0426	NRSA02J-391X	CH MG R	390Ω 1/10W J	
R0427	NRSA02J-391X	CH MG R	390Ω 1/10W J	
R0428	NRSA02J-473X	CH MG R	47kΩ 1/10W J	
R0429	NRSA02J-0R0X	CH MG R	0.0Ω 1/10W J	
R0430	NRSA02J-0R0X	CH MG R	0.0Ω 1/10W J	

△ Symbol No.	Part No.	Part Name	Description	Local
RESISTOR				
R0431	NRSA02J-563X	CH MG R	56kΩ 1/10W J	
R0432	NRSA02J-104X	CH MG R	100kΩ 1/10W J	
R0433	NRSA02J-101X	CH MG R	100Ω 1/10W J	
R0434	NRSA02J-102X	CH MG R	1kΩ 1/10W J	
R0435	NRSA02J-221X	CH MG R	220Ω 1/10W J	
R0436	NRSA02J-101X	CH MG R	100Ω 1/10W J	
R0437	NRSA02J-471X	CH MG R	470Ω 1/10W J	
R0438	NRSA02J-561X	CH MG R	560Ω 1/10W J	
R0439	NRSA02J-472X	CH MG R	4.7kΩ 1/10W J	
R0440	NRSA02J-472X	CH MG R	4.7kΩ 1/10W J	
R0445	NRSA02J-102X	CH MG R	1kΩ 1/10W J	
R0446	NRSA02J-471X	CH MG R	470Ω 1/10W J	
R0447	NRSA02J-101X	CH MG R	100Ω 1/10W J	
R0448	NRSA02J-101X	CH MG R	100Ω 1/10W J	
R0451	NRSA02J-102X	CH MG R	1kΩ 1/10W J	
R0459	NRSA02J-101X	CH MG R	100Ω 1/10W J	
R0460	NRSA02J-101X	CH MG R	100Ω 1/10W J	
R0463	NRSA02J-472X	CH MG R	4.7kΩ 1/10W J	
R0466	NRSA02J-0R0X	CH MG R	0.0Ω 1/10W J	
R0468	NRSA02J-221X	CH MG R	220Ω 1/10W J	
R0501	QRG01GJ-181	OM R	180Ω 1W J	
R0512	NRSA02J-101X	CH MG R	100Ω 1/10W J	
R0513	NRSA02J-101X	CH MG R	100Ω 1/10W J	
R0601	NRSA02J-105X	CH MG R	1MΩ 1/10W J	
R0602	NRSA02J-154X	CH MG R	150kΩ 1/10W J	
R0603	NRSA02J-822X	CH MG R	8.2kΩ 1/10W J	
R0604	NRSA02J-182X	CH MG R	1.8kΩ 1/10W J	
R0611	NRSA02J-102X	CH MG R	1kΩ 1/10W J	
R0612	NRSA02J-562X	CH MG R	5.6kΩ 1/10W J	
R0613	NRSA02J-102X	CH MG R	1kΩ 1/10W J	
R0614	NRSA02J-562X	CH MG R	5.6kΩ 1/10W J	
R0615	NRSA02J-562X	CH MG R	5.6kΩ 1/10W J	
R0616	NRSA02J-562X	CH MG R	5.6kΩ 1/10W J	
R0617	NRSA02J-101X	CH MG R	100Ω 1/10W J	
R0618	NRSA02J-101X	CH MG R	100Ω 1/10W J	
R0620	NRSA02J-563X	CH MG R	56kΩ 1/10W J	
R0621	NRSA02J-563X	CH MG R	56kΩ 1/10W J	
R0622	NRSA02J-0R0X	CH MG R	0.0Ω 1/10W J	
R0629	NRSA02J-0R0X	CH MG R	0.0Ω 1/10W J	
R0630	NRSA02J-563X	CH MG R	56kΩ 1/10W J	
R0631	NRSA02J-563X	CH MG R	56kΩ 1/10W J	
R0633	NRSA02J-472X	CH MG R	4.7kΩ 1/10W J	
R0634	NRSA02J-472X	CH MG R	4.7kΩ 1/10W J	
R0636	NRSA02J-822X	CH MG R	8.2kΩ 1/10W J	
R0637	NRSA02J-822X	CH MG R	8.2kΩ 1/10W J	
R0638	NRSA02J-225X	CH MG R	2.2MΩ 1/10W J	
R0639	NRSA02J-821X	CH MG R	820Ω 1/10W J	
R0640	NRSA02J-822X	CH MG R	8.2kΩ 1/10W J	
R0656	NRSA02J-152X	CH MG R	1.5kΩ 1/10W J	
R0657	NRSA02J-152X	CH MG R	1.5kΩ 1/10W J	
R0658	NRSA02J-152X	CH MG R	1.5kΩ 1/10W J	
R0659	NRSA02J-152X	CH MG R	1.5kΩ 1/10W J	
R0660	NRSA02J-183X	CH MG R	18kΩ 1/10W J	
R0661	NRSA02J-122X	CH MG R	1.2kΩ 1/10W J	
R0662	NRSA02J-122X	CH MG R	1.2kΩ 1/10W J	
CAPACITOR				
C0101	NCB21HK-103X	CH C CAP.	0.01μF 50V K	
C0103	NCB21HK-472X	CH C CAP.	4700pF 50V K	
C0104	NCB21HK-472X	CH C CAP.	4700pF 50V K	
C0105	NCB21HK-103X	CH C CAP.	0.01μF 50V K	
C0106	NCB21HK-103X	CH C CAP.	0.01μF 50V K	
C0107	NCB21HK-103X	CH C CAP.	0.01μF 50V K	
C0108	NCB21HK-103X	CH C CAP.	0.01μF 50V K	
C0109	NCB21HK-103X	CH C CAP.	0.01μF 50V K	
C0110	NCB21HK-331X	CH C CAP.	330pF 50V K	
C0111	QETN1HM-474Z	E CAP.	0.47μF 50V M	
C0112	NCB21HK-103X	CH C CAP.	0.01μF 50V K	
C0113	QETN1CM-336Z	E CAP.	33μF 16V M	
C0114	NCB21HK-103X	CH C CAP.	0.01μF 50V K	
C0115	NCB21HK-103X	CH C CAP.	0.01μF 50V K	
C0116	QCB31HK-103Z	C CAP.	0.01μF 50V K	
C0117	QCB31HK-103Z	C CAP.	0.01μF 50V K	
C0118	NDC21HJ-820X	CH C CAP.	82pF 50V J	

Symbol No.	Part No.	Part Name	Description	Local
CAPACITOR				
C0119	NDC21HJ-470X	CH C CAP.	47pF 50V J	
C0120	NDC21HJ-180X	CH C CAP.	18pF 50V J	
C0121	QETN1HM-474Z	E CAP.	0.47μF 50V M	
C0122	NDC21HJ-330X	CH C CAP.	33pF 50V J	
C0123	NCB21HK-103X	CH C CAP.	0.01μF 50V K	
C0124	NCB21HK-682X	CH C CAP.	6800pF 50V K	
C0126	NCB21HK-103X	CH C CAP.	0.01μF 50V K	
C0151	NDC21HJ-680X	CH C CAP.	68pF 50V J	
C0152	NDC21HJ-470X	CH C CAP.	47pF 50V J	
C0153	NDC21HJ-101X	CH C CAP.	100pF 50V J	
C0154	NDC21HJ-270X	CH C CAP.	27pF 50V J	
C0301	NRSA02J-0R0X	CH MG R	0.0Ω 1/10W J	
C0302	QENC1CM-106Z	BP E CAP.	10μF 16V M	
C0303	QETN1CM-107Z	E CAP.	100μF 16V M	
C0305	NDC21HJ-680X	CH C CAP.	68pF 50V J	
C0308	NCB21HK-103X	CH C CAP.	0.01μF 50V K	
C0311	QENC1CM-106Z	BP E CAP.	10μF 16V M	
C0312	QENC1CM-106Z	BP E CAP.	10μF 16V M	
C0313	NCB21HK-103X	CH C CAP.	0.01μF 50V K	
C0314	QETN1HM-106Z	E CAP.	10μF 50V M	
C0315	NCB21HK-103X	CH C CAP.	0.01μF 50V K	
C0318	NDC21HJ-121X	CH C CAP.	120pF 50V J	
C0401	QENC1CM-106Z	BP E CAP.	10μF 16V M	
C0402	QENC1HM-105Z	BP E CAP.	1μF 50V M	
C0403	QENC1HM-105Z	BP E CAP.	1μF 50V M	
C0404	QENC1CM-106Z	BP E CAP.	10μF 16V M	
C0405	NCB21EK-104X	CH C CAP.	0.1μF 25V K	
C0406	QENC1CM-106Z	BP E CAP.	10μF 16V M	
C0407	QENC1HM-105Z	BP E CAP.	1μF 50V M	
C0408	QENC1HM-105Z	BP E CAP.	1μF 50V M	
C0409	QETN1CM-227Z	E CAP.	220μF 16V M	
C0410	QENC1HM-105Z	BP E CAP.	1μF 50V M	
C0411	QENC1HM-105Z	BP E CAP.	1μF 50V M	
C0412	NDC21HJ-101X	CH C CAP.	100pF 50V J	
C0413	NDC21HJ-101X	CH C CAP.	100pF 50V J	
C0422	QETN1HM-226Z	E CAP.	22μF 50V M	
C0423	QENC1CM-106Z	BP E CAP.	10μF 16V M	
C0424	QENC1CM-106Z	BP E CAP.	10μF 16V M	
C0425	NCB21HK-103X	CH C CAP.	0.01μF 50V K	
C0426	NCB21HK-103X	CH C CAP.	0.01μF 50V K	
C0427	NCB21HK-103X	CH C CAP.	0.01μF 50V K	
C0428	QENC1CM-106Z	BP E CAP.	10μF 16V M	
C0430	NCB21HK-103X	CH C CAP.	0.01μF 50V K	
C0431	QETN1CM-107Z	E CAP.	100μF 16V M	
C0448	QETN1HM-106Z	E CAP.	10μF 50V M	
C0451	QETN1HM-106Z	E CAP.	10μF 50V M	
C0452	QETN1HM-106Z	E CAP.	10μF 50V M	
C0453	QENC1CM-106Z	BP E CAP.	10μF 16V M	
C0454	NDC21HJ-270X	CH C CAP.	27pF 50V J	
C0501	NDC21HJ-2R0X	CH C CAP.	2.0pF 50V J	
C0502	NDC21HJ-2R0X	CH C CAP.	2.0pF 50V J	
C0503	NCB21HK-103X	CH C CAP.	0.01μF 50V K	
C0504	NCB21HK-103X	CH C CAP.	0.01μF 50V K	
C0505	QETN1HM-106Z	E CAP.	10μF 50V M	
C0506	QETN1HM-106Z	E CAP.	10μF 50V M	
C0507	NCF21HZ-104X	CH C CAP.	0.1μF 50V Z	
C0508	NCF21HZ-104X	CH C CAP.	0.1μF 50V Z	
C0509	QETN1HM-106Z	E CAP.	10μF 50V M	
C0510	NCF21HZ-104X	CH C CAP.	0.1μF 50V Z	
C0511	NCS21HJ-471X	CH C CAP.	470pF 50V J	
C0512	NCS21HJ-471X	CH C CAP.	470pF 50V J	
C0513	NCF21HZ-104X	CH C CAP.	0.1μF 50V Z	
C0514	QETN1HM-106Z	E CAP.	10μF 50V M	
C0515	QETN1HM-106Z	E CAP.	10μF 50V M	
C0516	NCF21HZ-104X	CH C CAP.	0.1μF 50V Z	
C0517	QETN1HM-106Z	E CAP.	10μF 50V M	
C0518	QETN1HM-106Z	E CAP.	10μF 50V M	
C0521	NCF21HZ-104X	CH C CAP.	0.1μF 50V Z	
C0522	NCB21HK-102X	CH C CAP.	1000pF 50V K	
C0523	NCB21HK-102X	CH C CAP.	1000pF 50V K	
C0524	NCS21HJ-391X	CH C CAP.	390pF 50V J	
C0525	NCS21HJ-391X	CH C CAP.	390pF 50V J	
C0526	NDC21HJ-221X	CH C CAP.	220pF 50V J	
C0527	NDC21HJ-221X	CH C CAP.	220pF 50V J	
C0528	NCB21HK-103X	CH C CAP.	0.01μF 50V K	

Symbol No.	Part No.	Part Name	Description	Local
CAPACITOR				
C0529	NCB21HK-103X	CH C CAP.	0.01μF 50V K	
C0530	NCB21HK-103X	CH C CAP.	0.01μF 50V K	
C0531	NCB21HK-103X	CH C CAP.	0.01μF 50V K	
C0532	NCB21HK-103X	CH C CAP.	0.01μF 50V K	
C0533	NCB21HK-103X	CH C CAP.	0.01μF 50V K	
C0534	NCB21HK-103X	CH C CAP.	0.01μF 50V K	
C0535	NCB21HK-103X	CH C CAP.	0.01μF 50V K	
C0536	NCB21HK-102X	CH C CAP.	1000pF 50V K	
C0537	NCB21HK-103X	CH C CAP.	0.01μF 50V K	
C0539	NCB21HK-103X	CH C CAP.	0.01μF 50V K	
C0540	NCB21HK-103X	CH C CAP.	0.01μF 50V K	
C0541	QETN1CM-107Z	E CAP.	100μF 16V M	
C0542	NCB21HK-103X	CH C CAP.	0.01μF 50V K	
C0543	NCB21HK-103X	CH C CAP.	0.01μF 50V K	
C0544	NCB21HK-103X	CH C CAP.	0.01μF 50V K	
C0545	NCB21HK-103X	CH C CAP.	0.01μF 50V K	
C0546	NCB21HK-103X	CH C CAP.	0.01μF 50V K	
C0547	NCB21HK-103X	CH C CAP.	0.01μF 50V K	
C0548	NCB21HK-103X	CH C CAP.	0.01μF 50V K	
C0549	NCB21HK-103X	CH C CAP.	0.01μF 50V K	
C0550	NCB21HK-103X	CH C CAP.	0.01μF 50V K	
C0551	NCB21HK-103X	CH C CAP.	0.01μF 50V K	
C0601	QENC1CM-226Z	BP E CAP.	22μF 16V M	
C0602	QETN1AM-107Z	E CAP.	100μF 10V M	
C0603	NCB21EK-563X	CH C CAP.	0.056μF 25V K	
C0604	NCB21HK-393X	CH C CAP.	0.039μF 50V K	
C0605	QETN1HM-106Z	E CAP.	10μF 50V M	
C0606	QETN1HM-106Z	E CAP.	10μF 50V M	
C0607	QENC1CM-226Z	BP E CAP.	22μF 16V M	
C0608	NCB21HK-103X	CH C CAP.	0.01μF 50V K	
C0609	QETN1HM-105Z	E CAP.	1μF 50V M	
C0610	QENC1CM-226Z	BP E CAP.	22μF 16V M	
C0611	QETN1HM-474Z	E CAP.	0.47μF 50V M	
C0612	QETN1HM-474Z	E CAP.	0.47μF 50V M	
C0613	QETN1HM-226Z	E CAP.	22μF 50V M	
C0614	QETN1CM-227Z	E CAP.	220μF 16V M	
C0615	NCB21HK-272X	CH C CAP.	2700pF 50V K	
C0616	QETN1HM-475Z	E CAP.	4.7μF 50V M	
C0617	NCB21HK-272X	CH C CAP.	2700pF 50V K	
C0618	QETN1HM-225Z	E CAP.	2.2μF 50V M	
C0619	NCB21EK-104X	CH C CAP.	0.1μF 25V K	
C0620	NCB21EK-104X	CH C CAP.	0.1μF 25V K	
C0621	QENC1HM-225Z	BP E CAP.	2.2μF 50V M	
C0622	NCB21EK-104X	CH C CAP.	0.1μF 25V K	
C0623	NCB21EK-104X	CH C CAP.	0.1μF 25V K	
C0624	QETN1HM-475Z	E CAP.	4.7μF 50V M	
C0625	NCB21EK-104X	CH C CAP.	0.1μF 25V K	
C0626	NCB21EK-104X	CH C CAP.	0.1μF 25V K	
C0627	QETN1CM-476Z	E CAP.	47μF 16V M	
C0628	NCB21HK-183X	CH C CAP.	0.018μF 50V K	
C0629	NCB21HK-273X	CH C CAP.	0.027μF 50V K	
C0630	NCB21HK-183X	CH C CAP.	0.018μF 50V K	
C0631	QETN1CM-107Z	E CAP.	100μF 16V M	
C0632	NCB21HK-183X	CH C CAP.	0.018μF 50V K	
C0633	NCB21HK-183X	CH C CAP.	0.018μF 50V K	
C0640	QETN1CM-476Z	E CAP.	47μF 16V M	
C0641	QENC1HM-475Z	BP E CAP.	4.7μF 50V M	
C0642	QENC1HM-475Z	BP E CAP.	4.7μF 50V M	
C0643	QETN1HM-475Z	E CAP.	4.7μF 50V M	
C0644	QETN1HM-106Z	E CAP.	10μF 50V M	
C0645	QETN1HM-106Z	E CAP.	10μF 50V M	
C0646	NCB21HK-103X	CH C CAP.	0.01μF 50V K	
C0647	QETN1CM-107Z	E CAP.	100μF 16V M	
C0648	QENC1HM-475Z	BP E CAP.	4.7μF 50V M	
C0649	QENC1HM-475Z	BP E CAP.	4.7μF 50V M	
C0660	QETN1HM-106Z	E CAP.	10μF 50V M	
C0664	NCB21HK-393X	CH C CAP.	0.039μF 50V K	
C0665	NCB21HK-393X	CH C CAP.	0.039μF 50V K	
TRANSFORMER				
T0101	CELT001-306	CW TRANSF.		

Symbol No.	Part No.	Part Name	Description	Local
COIL				
L0101	QQL244K-1R5Z	PEAKING COIL	1.5μH	K
L0102	QQL244K-100Z	PEAKING COIL	10μH	K
L0103	QQL05BK-1R5Z	PEAKING COIL	1.5μH	K
L0104	QQL244K-100Z	PEAKING COIL	10μH	K
L0105	QQL244K-150Z	PEAKING COIL	15μH	K
L0106	QQL244K-180Z	PEAKING COIL	18μH	K
L0107	QQL244K-100Z	PEAKING COIL	10μH	K
L0151	QQL244K-120Z	PEAKING COIL	12μH	K
L0303	QQL244K-120Z	PEAKING COIL	12μH	K
L0501	NQL02BJ-4R7X	CHIP INDUCTOR	4.7μH	K
L0502	QQL244K-4R7Z	PEAKING COIL	4.7μH	K
L0503	QQL244K-4R7Z	PEAKING COIL	4.7μH	K
L0504	QQL244K-4R7Z	PEAKING COIL	4.7μH	K

DIODE

D0101	1S585-T2	SI DIODE		
D0102	1S585-T2	SI DIODE		
D0103	MA3091/M/-X	CHIP ZENER DIODE		
D0402	1S5353-X	CHIP DIODE		
D0407	MA3100/M/-X	CHIP ZENER DIODE		
D0408	MA3100/M/-X	CHIP ZENER DIODE		
D0410	MA3100/M/-X	CHIP ZENER DIODE		
D0413	MA3100/M/-X	CHIP ZENER DIODE		
D0414	MA3100/M/-X	CHIP ZENER DIODE		
D0415	MA3100/M/-X	CHIP ZENER DIODE		
D0416	MA3100/M/-X	CHIP ZENER DIODE		
D0417	MA3100/M/-X	CHIP ZENER DIODE		
D0418	MA3100/M/-X	CHIP ZENER DIODE		
D0419	MA3100/M/-X	CHIP ZENER DIODE		
D0420	MA3100/M/-X	CHIP ZENER DIODE		
D0501	MA3082/M/-X	CHIP ZENER DIODE		
D0601	1S5353-X	CHIP DIODE		

TRANSISTOR

Q0101	2SC5083/L-P/-T	SI TRANSISTOR		
Q0102	2SA1037AK/QR/-X	SI TRANSISTOR		
Q0103	2SA1037AK/QR/-X	SI TRANSISTOR		
Q0104	DTC323TK-X	DIGI TRANSISTOR		
Q0105	2SC2412K/QR/-X	CHIP TRANSISTOR		
Q0106	2SC2412K/QR/-X	CHIP TRANSISTOR		
Q0107	2SC2412K/QR/-X	CHIP TRANSISTOR		
Q0301	2SC2412K/QR/-X	CHIP TRANSISTOR		
Q0302	2SC2412K/QR/-X	CHIP TRANSISTOR		
Q0303	2SC2412K/QR/-X	CHIP TRANSISTOR		
Q0304	2SA1037AK/QR/-X	SI TRANSISTOR		
Q0401	2SA673/C/-T	TRANSISTOR		
Q0402	2SA1037AK/QR/-X	SI TRANSISTOR		
Q0405	DTA144TKA-X	DIGI TRANSISTOR		
Q0406	DTC363TK-X	DIGI TRANSISTOR		
Q0407	DTC363TK-X	DIGI TRANSISTOR		

IC

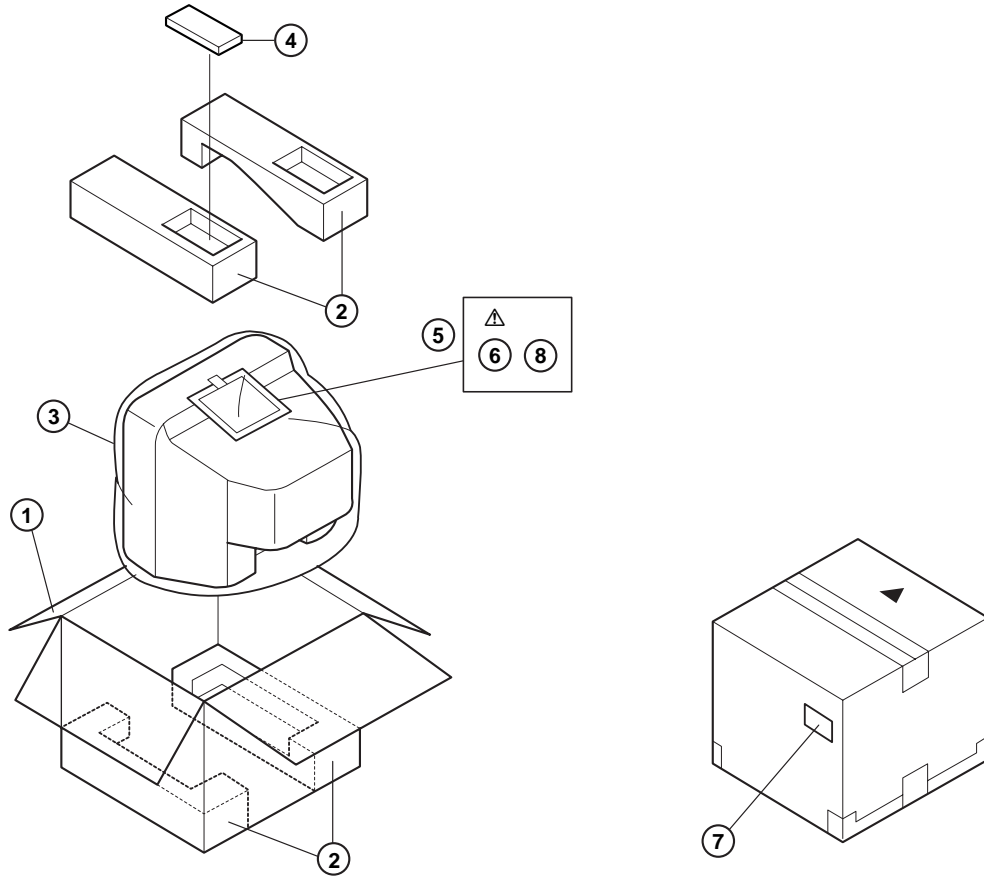
IC0101	LA7577N	IC		
IC0301	LA7222	IC		
IC0401	CXA1545AS	IC		
IC0501	MSP3410D-PP-C5	IC		
IC0601	AN7395K	IC		
IC0602	TDA7315	IC		
IC0603	BA4558N	IC		
IC0604	AN5285K	IC		

OTHERS

	LC20412-001A-H	SHIELD COVER		
	LC30840-001A-H	SHIELD PLATE		
CF0151	SF5H4.5MCB	CERAMIC FILTER		
DL0301	CE42599-001	COMB FILTER MOD		
EF0501	CE42482-103Y	EMI FILTER		
EF0502	CE42482-103Y	EMI FILTER		
△ FR0103	QRZ9017-330	F R	33Ω	1/4W J
△ FR0118	QRZ9017-470	F R	47Ω	1/4W J

Symbol No.	Part No.	Part Name	Description	Local
OTHERS				
J0402	CEMN078-001	PIN JACK		
K0502	CE41433-001Z	BEADS CORE		
SF0101	QAX0497-001	SAW FILTER		
SF0102	QAX0497-002	SAW FILTER		
X0501	CE42546-001	X TAL		

PACKING



PACKING PARTS LIST

△ Ref.No.	Part No.	Part Name	Description	Local
1	GG10056-024A-H	PACKING CASE		
2	LC10409-002A-H	CUSHION ASSY	4 pcs. in 1 set	
3	CP30967-003-H	POLY BAG		
4	RM-C237-1C	REMOCON UNIT		
5	CP30966-001-H	POLY BAG		
△ 6	LCT0839-001A-H	INST BOOK		
7	CM47385-00B-H	POS/SERIAL LABEL		
8	ATEAB001-00A	MATCHING BOX		

REMOTE CONTROL UNIT PARTS LIST (RM-C237-1C)

△ Ref.No.	Part No.	Part Name	Description	Local
	3139 224 20073	BATTERY COVER		